

PLEASE CHECK WWW.MOLEX.COM FOR LATEST PART INFORMATION

Part Number: [5011892010](#)
Status: **Active**
Overview: [picoclap](#)
Description: 1.00mm (.039") Pitch Pico-Clasp™ Wire-to-Board Receptacle Housing, Dual Row, 20 Circuits

Documents:

[3D Model](#) [Product Specification PS-501571-001 \(PDF\)](#)
[Drawing \(PDF\)](#) [RoHS Certificate of Compliance \(PDF\)](#)
[Product Specification PS-501190-001 \(PDF\)](#)

General

Product Family Crimp Housings
 Series [501189](#)
 Overview [picoclap](#)
 Product Name Pico-Clasp™

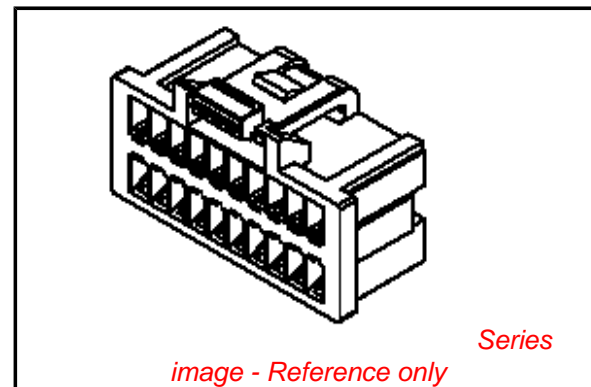
Physical

Breakaway No
 Circuits (maximum) 20
 Color - Resin White
 Gender Receptacle
 Glow-Wire Compliant No
 Lock to Mating Part Yes
 Material - Resin Nylon
 Number of Rows 2
 Packaging Type Bag
 Panel Mount No
 Pitch - Mating Interface (in) 0.039 In
 Pitch - Mating Interface (mm) 1.00 mm
 Polarized to Mating Part Yes
 Stackable No
 Temperature Range - Operating -40°C to +85°C

Material Info

Reference - Drawing Numbers

Packaging Specification SPK-501189-001
 Product Specification PS-501190-001, PS-501571-001, RPS-501190-001,
 RPS-501331-001, RPS-501571-006, RPS-501571-007,
 RPS-501571-008
 Sales Drawing SD-501189-002



EU RoHS

**ELV and RoHS
 Compliant**
REACH SVHC
 Not Reviewed
**Halogen-Free
 Status**
 Not Reviewed

China RoHS



**Need more information on product
 environmental compliance?**

Email productcompliance@molex.com
 For a multiple part number RoHS Certificate of
 Compliance, [click here](#)

Please visit the [Contact Us](#) section for any
 non-product compliance questions.

Search Parts in this Series

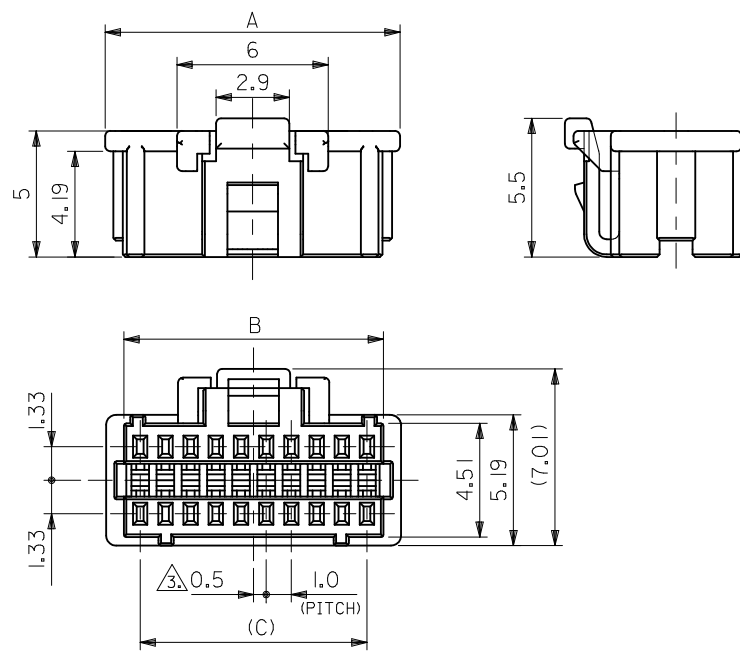
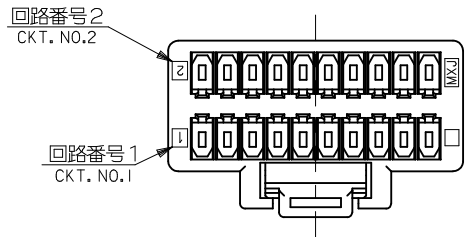
[501189Series](#)

Mates With

[501190](#) PCB Header Vertical . [501571](#) PCB
 Header Right Angle

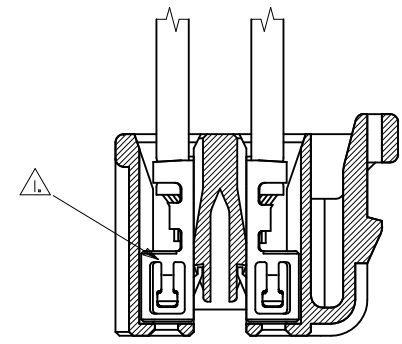
Use With

[501193](#) Crimp Terminal



NOTES.

- 1. 適合ターミナル：501193-****
APPLICABLE TERMINAL : 501193-****
- 2. 嵌合相手：501190-**1* , 501571-****
MATE WITH : 501190-**1* , 501571-****
- 3. 極数/2=偶数に適用。
APPLY FOR CIRCUIT SIZE/2=EVEN



ターミナル装着図
TERMINAL ASSEMBLY DRAWING

24	25.3	26.7	501189-5010	50
19	20.3	21.7	501189-4010	40
14	15.3	16.7	501189-3010	30
9	10.3	11.7	501189-2010	20
C	B	A	MATERIAL NO.	CKT.

MATERIAL 66NYLON UL94V-0 COLOR:WHITE GLASS FILLED:0%	REVISED EC NO.: J2010-2217 DRWN:THAYU 2010/05/12 CHKD:KASAKAWA 2010/05/13 APPR:NUKITA 2010/05/14	GENERAL TOLERANCES (UNLESS SPECIFIED)		DIMENSION STYLE MM ONLY		SCALE 5:1		DESIGN UNITS METRIC		THIRD ANGLE PROJECTION	
		10 UNDER	±0.2	DRAWN BY	DATE	TITLE					
		10 OVER 30 UNDER	±0.25	NYOSHIDA	2004/12/17	1.0 WIRE TO BOARD CONN. 2-ROW RECEPTACLE HOUSING					
		30 OVER	±0.3	CHECKED BY	DATE						
ANGULAR ±3 °		APPROVED BY	DATE	MOLEX INCORPORATED							
DRAFT WHERE APPLICABLE MUST REMAIN WITHIN DIMENSIONS		ANODA	2004/12/17								
		MATERIAL NO. SEE CHART		DOCUMENT NO. SD-501189-002		SHEET NO. 1 OF 1					
		SIZE A3		THIS DRAWING CONTAINS INFORMATION THAT IS PROPRIETARY TO MOLEX INCORPORATED AND SHOULD NOT BE USED WITHOUT WRITTEN PERMISSION							